



# 3" BORE ACCESSORIES



## MOUNTING NUTS

### Stud Nut

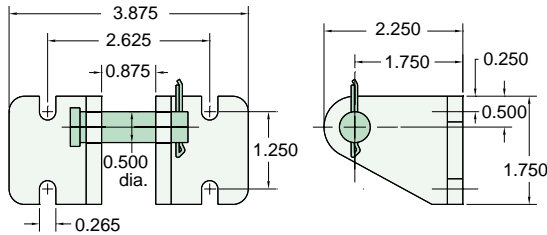
Part Number	Across Flats	Nut Thickness	Nut (Thread)
N24-12	2 1/4"	1/2"	1 1/2-12

### Rod Nut

Part Number	Across Flats	Nut Thickness	Nut (Thread)
N08-20	3/4"	5/16"	1/2-20

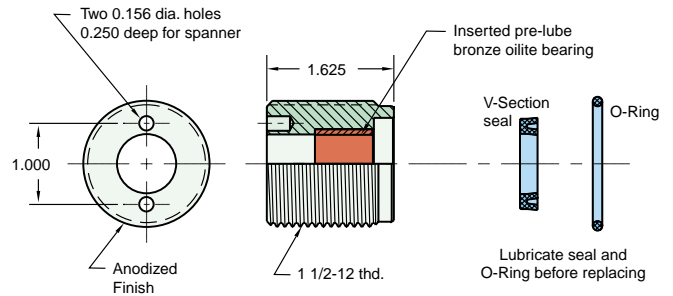
## CB-4895

Clevis Bracket  
Material: steel, bright zinc plated



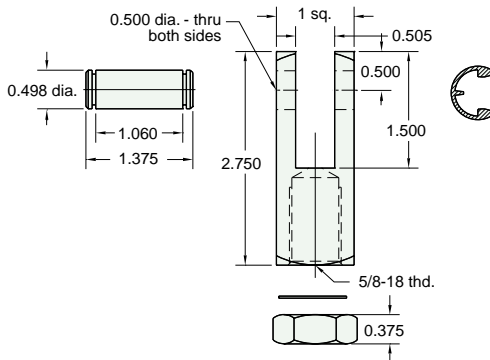
## RK-4899

Replaceable Rod Seal  
Material: aluminum body



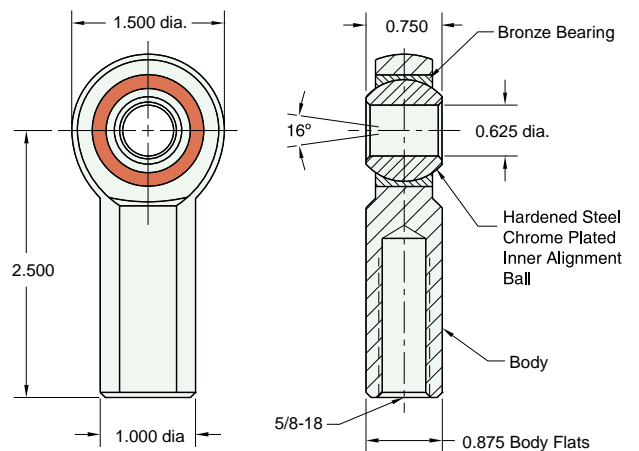
## RC-4881

Rod Clevis  
Material: steel, bright zinc plated



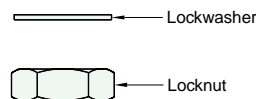
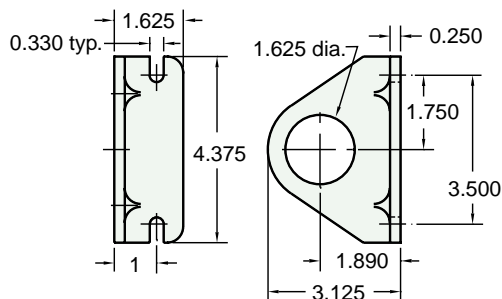
## RE-4885

Rod End  
Material: steel, bright zinc plated body



## FB-4891

Foot Bracket  
Material: steel, bright zinc plated



Max. Static Radial Load: 7400 lbs.  
Fits Rod Thread Size: 5/8-18